

## FODIS compact

Subrack fiber patch system

### Field of Application

FODIS compact is a convenient and flexible fiber patching system. It can be used for fiber splicing only or to terminate an incoming loose tube or tight buffered cable. As FODIS compact can handle a high density of fiber cores and offers flexible cross and interconnect capabilities with a convenient cable guidance, it is the ideal choice for datacenter and LAN installations.



### Features

- Eurocard Fiber Modules
- 1 HU, 3 HU and 4 HU subracks available
- Support for all common types of adapters
- Open and closed version available

### Product description

#### FODIS compact - Eurocard Module System

euroclust offers a new cable management system for datacenters. An intelligent cable guidance and the easy installation and maintenance makes it a convenient solution for your network. Interoperability is ensured through the eurocard standard. The system consists of different kinds of subracks and various FODIS compact Fiber Modules. A FODIS compact Module is an Eurocard module consists of a frontplate and body based on a PC/ABS blend. It can accommodate a splice cassette and is designed either for patching or as a splice through module.



## Product description

### FODIS compact Carrier

The FODIS compact Carrier is a subrack for all FODIS compact Modules. It is made of Aluminum. Plastic guidance rails ensure an accurate positioning of the compact Module inside the FODIS compact Carrier. The plastic guidance rails are easy to install and uninstall as they simply click into the body of the FODIS compact Carrier. Thus their position can be changed quickly as it is needed when using different widths of FODIS compact Modules.

## Technical specifications

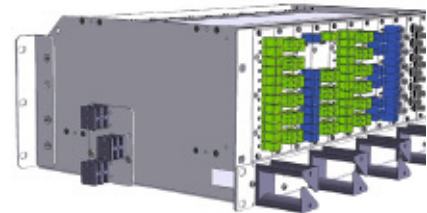
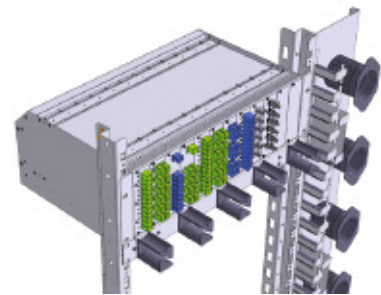
Material	Anodized oxide brushed aluminum
Flammability	UL 94V-0

### Intelligent Cable Guidance

euroclust offers various kinds of installation kit for horizontal cable guiding and professional vertical overlength storage to enhance any installation of a FODIS compact inside a rack (independently of the rack manufacturer). Please contact your euroclust dealer for further information.

### Wall Mounting

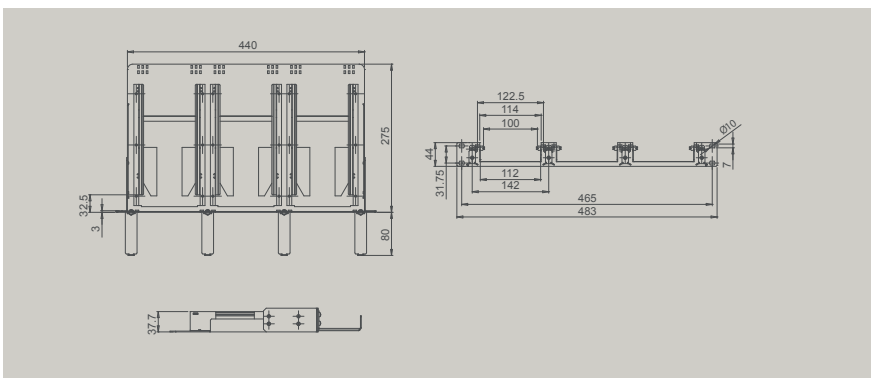
An optional wall mounting kit is available for the FODIS compact system which allows you to mount a 4 HU FODIS compact Carrier on a wall. Two brackets will fix the 4 HU FODIS compact Carrier to the wall. The protection tube of a trunk cable's sub tube can be fixed by allotted holders which are mounted to the side of the 4 HU FODIS compact Carrier. A side hole is dedicated for inserting subcable protection tubes into the FODIS compact Carrier to feed the cable into the FODIS compact extension drawer.



## 1HU FODIS compact Carrier

### 1 HU FODIS compact carrier

The 1HU FODIS compact carrier can accommodate three FODIS compact Modules in a horizontal direction. It comes with a screw mounted horizontal cable guidance. The 1 HU FODIS compact carrier is available as open version only. The protection tube is fed from the Multi Tube Cable divider (MTCD) directly to each FODIS compact Module, mounted to the compact carrier. An additional space for a service loop is available.



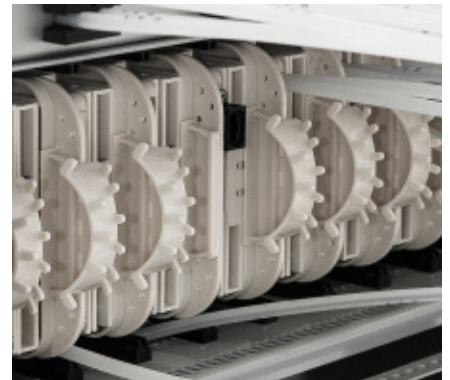
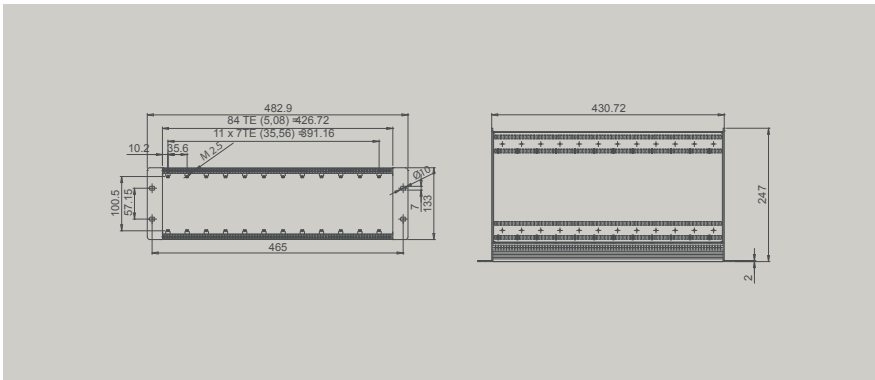
# FODIS compact Carrier

Subrack fiber patch system

## 3HU FODIS compact Carrier

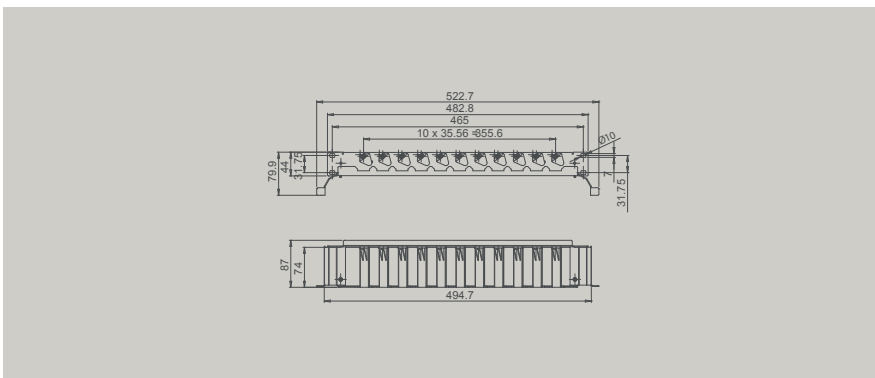
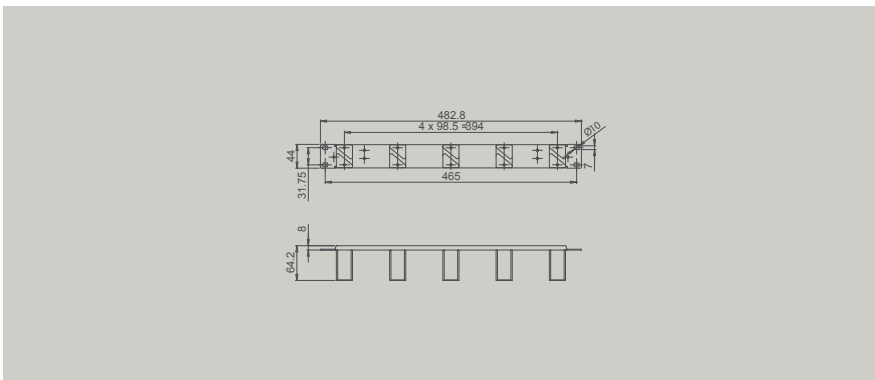
### 3 HU FODIS compact carrier

The 3 HU FODIS compact Carrier is available as an open version. It is covered on top and open on the back side. The cable protection tube can be fed from the Multi Tube Cable Divider (MTCD) directly to the FODIS compact Module.



### FODIS compact Management Bar

The FODIS compact Management Bar can be ordered separately as an accessory for horizontal cable guidance at the FODIS compact's front. It is available in two different executions: The simple Management Bar with five plastic hooks and the advanced Management Bar with up to eleven bending radius limitators.

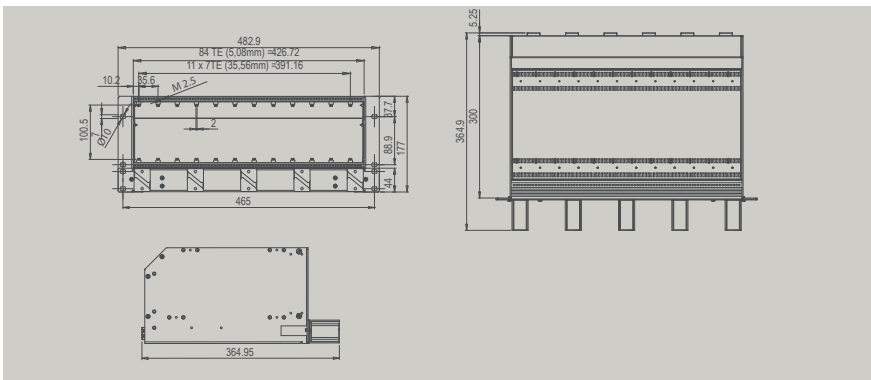
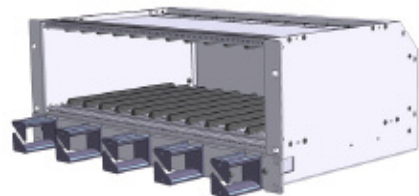
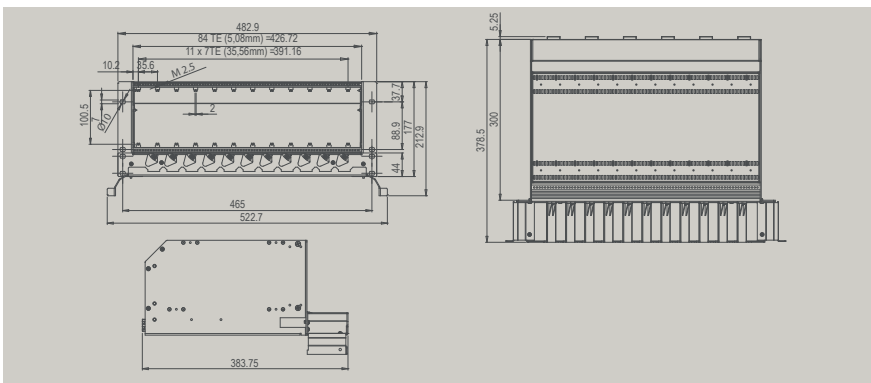
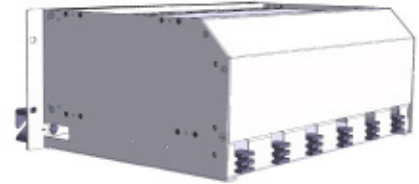


## 4HU FODIS compact Carrier

### 4 HU FODIS compact carrier

The 4 HU FODIS compact Carrier consists of two key parts, the subrack and the integrated extension drawer with horizontal cable management at the front.

Furthermore it is available in two different executions: A closed version as well as an open version is available. The closed version has an additional cover on the back side. When using the the open version of the FODIS compact Carrier, the cable protection tube can be fed from the Multi Tube Cable Divider (MTCD) directly to the FODIS compact Module. When using the closed version of the FODIS compact Carrier, the back side is not accessible as it is covered. The cable protection tube can be fed through the FODIS compact Extension Drawer. A FODIS compact Carrier in an open version can easily be upgraded to a closed version simply by mounting the additional cover plates to the FODIS compact Carrier.

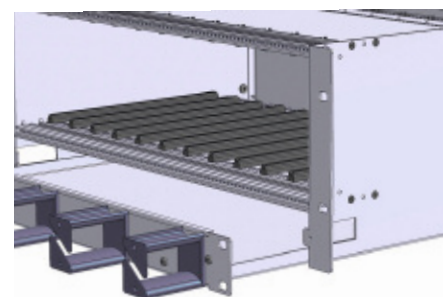


### FODIS compact Extension Drawer

The FODIS compact Extension drawer is an integrated part, only available for the 4 HU FODIS compact Carrier. It provides an additional space for the service loop of the cable which is a necessary overlength to pull out the FODIS compact Module from the Carrier. Furthermore, it accommodates the FODIS compact Management Bar. euroclust offers two different types of Management Bar:

- FODIS compact Extension Drawer with simple Management Bar
- FODIS compact Extension Drawer with advanced Management Bar

The simple Management Bar consists of five plastic hooks and the advanced Management Bar consists of up to eleven bending radius limiters



# FODIS compact Carrier

Subrack fiber patch system

Dimensions & Capacity				
	1 HU Carrier	3 HU Carrier	4 HU Carrier (open)	4 HU Carrier (close)
Carrier depth	275mm	300mm	300mm	300mm
Carrier width	483mm (19")	483mm (19")	483mm (19")	483mm (19")
Carrier height	0.9 kg			
Max. amount of modules	3	12	12	12
Max. amount of ports	36	288	288	288

## Ordering Information

### FODIS compact 1 HU Carriers

Description	ec-Article Nr.:
FODIS compact 1 HU Carrier	EC03.201000.010-V1

### FODIS compact 3 HU Carriers

FODIS compact 3 HU Carrier, open version	EC03.201000.100
--	-----------------

### FODIS compact accessories

FODIS compact simple Management Bar	EC03.201000.006
FODIS compact advanced Management Bar	EC03.201000.007
FODIS compact Wall Mount Kit for 4 HU Carrier	EC03.201000.004

### FODIS compact 4 HU Carriers

FODIS compact 4 HU Carrier, open version, Extension Drawer with simple Management Bar	EC03.201000.103
FODIS compact 4 HU Carrier, closed version, Extension Drawer with simple Management Bar	EC03.201000.104
FODIS compact 4 HU Carrier, open version, Extension Drawer with advanced Management Bar	EC03.201000.101
FODIS compact 4 HU Carrier, closed version, Extension Drawer with advanced Management Bar	EC03.201000.102
FODIS compact 4 HU Carrier, open version, Extension Drawer w simple Management Bar+4 back holes	EC03.201000.105
FODIS compact 4 HU Carrier, open version, Extension Drawer w advanced Management Bar+4 back holes	EC03.201000.106

## Scope of supply

Each FODIS compact 1HU Carrier consists of:

- 1 pc. FODIS compact Carrier body
- 6 pcs. Plastic guidance rails (pre-assembled to the body)
- 1 set Fixation screws M6
- 4 pcs. Front patch cable support clamps (for horizontal patchocord guidance)

Each FODIS compact 3 HU Carrier consists of:

- 1 pc. FODIS compact Carrier body
- 24 pcs. Plastic guidance rails (pre-assembled to the body)
- 1 set Fixation screws M6
- 1 pc. Back cover (in case of closed version)

Each FODIS compact 4 HU Carrier consists of:

- 1 pc. FODIS compact Carrier body with integrated FODIS Compact Extension Drawer
- 1 pc. Simple or advanced Management Bar (upon order, preassembled to the FODIS Compact Extension Drawer)
- 24 pcs. Plastic guidance rails (pre-assembled to the body)
- 1 set Fixation screws M6
- 1 pc. Back cover (in case of closed version)

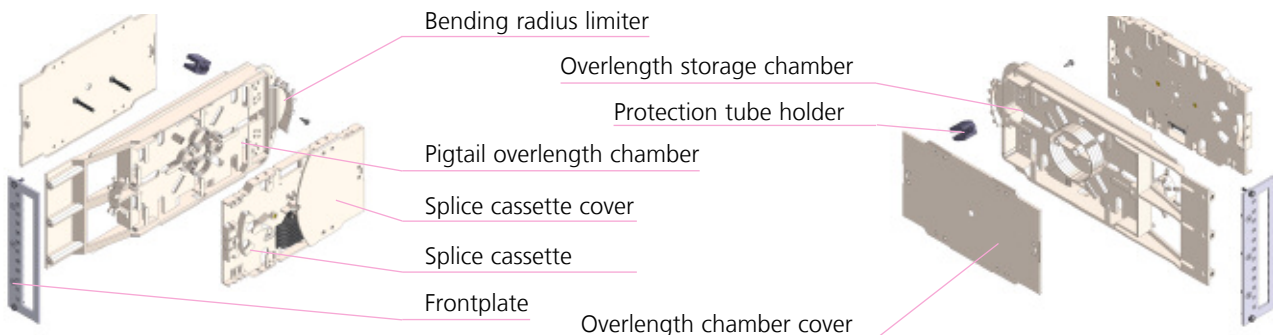
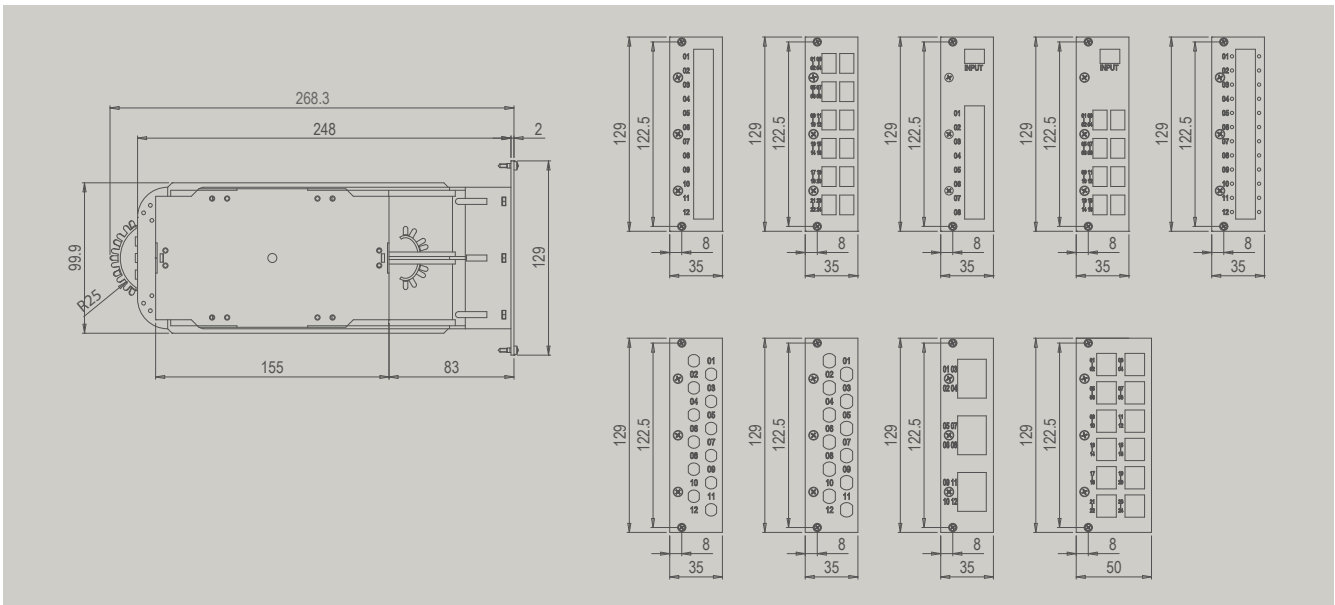
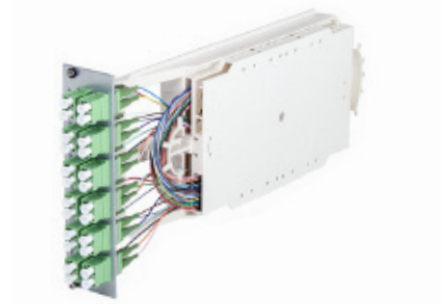
## Product description

### FODIS compact Module

A FODIS compact Module is the key component of a FODIS compact system. A compact module has a height of 100mm which is defined by the eurocard standard. euroclust offers various types of compact Modules, preassembled with all common types of adapters such as, SC, LC, ST, FC and E2000 including appropriate pigtailed. Furthermore, it allows you to install an MTP® fanout kit and mount a MTP adapter on the backside of the compact Module. A FODIS compact Module consists of an exchangeable front-plate, made of brushed aluminum, the plastic body and an ec1 splice cassette. One side the FODIS compact Module body has an integrated incoming cable subtube overlength storage chamber with protection tube fixation element and on the other side it has an overlength storage chamber for pigtailed below. On front side there is an integrated bending radius limiter which ensures a proper guidance of pigtailed from Pigtailed overlength storage chamber to a splice cassette and on the back side there is an integrated bending radius limiter which ensures a proper guidance of a cable's subtube from the overlength storage chamber to a splice cassette.

### Technical specifications

Frontplate material	Anodize oxide brushed aluminum
Body color	RAL 9001 (Cream white)
Body material	PC/ABS blend
Flammability	UL 94V-0



# FODIS compact Modules

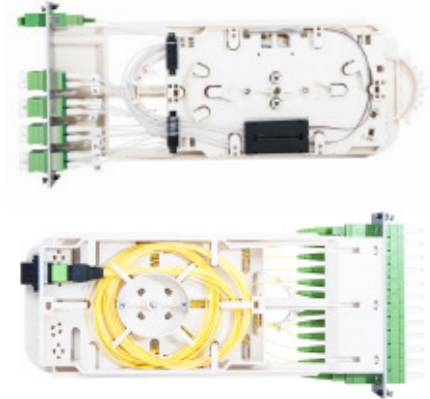
Subrack fiber patch system

## Splitter and MPO integration

### Splitter compact Module

Different types of Splitter compact Modules are available in order to integrate a PLC splitter into a FODIS compact Module. It is possible to integrate all types of splitters starting from 1:4 up to 1:16.

The Splitter compact Module consists of a conventional FODIS compact Module with a special frontplate designed for splitter usage. euroclust offers various pre configured adapter configurations with integrated splitters, ready to use (see ordering information). For details regarding PLC splitters, please see separate datasheet.



### MPO compact Module

euroclust also offers MPO/MTP® ready compact Modules. The MPO/MTP® ready compact Module consists of a conventional FODIS compact Module with a special lid for MPO adapter accommodation on the backside of the FODIS compact Module body.

## Ordering Information

### FODIS compact Modules, empty

Description	ec-Article Nr.:
Blind plate (7SU) for FODIS compact	EC03.202000.001-V1
Blind plate (10SU) for FODIS compact	EC03.202000.002-V1
FODIS compact Module (7SU), splice through version (shrink splice protection)	EC03.202100.007-V1S
FODIS compact Module (7SU), splice through version (crimp splice protection)	EC03.202100.007-V1C
FODIS compact Module (10SU), splice through version (shrink splice protection)	EC03.202100.010-V1S
FODIS compact Module (10SU), splice through version (crimp splice protection)	EC03.202100.010-V1C

### FODIS compact Modules SM/UPC (shrink splice protection) Version

FODIS compact Module (7SU) with 12 SC/UPC <sub>sx</sub> adapters + pigtails with G.657A fiber	EC03.202024.001-V1
FODIS compact Module (7SU) with 6 SC/UPC <sub>dx</sub> adapters + pigtails with G.657A fiber	EC03.202024.002-V1
FODIS compact Module (7SU) with 12 LC/UPC <sub>dx</sub> adapters + pigtails with G.657A fiber	EC03.202024.006-V1
FODIS compact Module (7SU) with 12 E2000/UPC <sub>sx</sub> adapters + pigtails with G.657A fiber	EC03.202024.005-V1
FODIS compact Module (7SU) with 6 LC/UPC <sub>dx</sub> adapters + pigtails with G.657A fiber	EC03.202024.011
FODIS compact Module (7SU) with 12 E2000/UPC <sub>sx</sub> adapters (screwed) + pigtails with G.657A fiber	EC03.202024.009-V1
FODIS compact Module (10SU) with 12 E2000compact/UPC <sub>dx</sub> adapters + pigtails with G.657A fiber	EC03.202024.010-V1
FODIS compact Module (7SU) with 12 ST/UPC adapters + pigtails with G.657A fiber	EC03.202024.004-V1
FODIS compact Module (7SU) with 12 FC/UPC adapters + pigtails with G.657A fiber	EC03.202024.003-V1

### FODIS compact Modules SM/UPC (crimp splice protection) Version

FODIS compact Module (7SU) with 12 SC/UPC <sub>sx</sub> adapters + pigtails with G.657A fiber	EC03.202025.001-V1
FODIS compact Module (7SU) with 6 SC/UPC <sub>dx</sub> adapters + pigtails with G.657A fiber	EC03.202025.002-V1
FODIS compact Module (7SU) with 12 LC/UPC <sub>dx</sub> adapters + pigtails with G.657A fiber	EC03.202025.006-V1
FODIS compact Module (7SU) with 12 E2000/UPC <sub>sx</sub> adapters + pigtails with G.657A fiber	EC03.202025.005-V1
FODIS compact Module (7SU) with 6 LC/UPC <sub>dx</sub> adapters + pigtails with G.657A fiber	EC03.202025.011
FODIS compact Module (7SU) with 12 E2000/UPC <sub>sx</sub> adapters (screwed) + pigtails with G.657A fiber	EC03.202025.009-V1
FODIS compact Module (10SU) with 12 E2000compact/UPC <sub>dx</sub> adapters + pigtails with G.657A fiber	EC03.202025.010-V1
FODIS compact Module (7SU) with 12 ST/UPC adapters + pigtails with G.657A fiber	EC03.202025.004-V1
FODIS compact Module (7SU) with 12 FC/UPC adapters + pigtails with G.657A fiber	EC03.202025.003-V1

## Ordering Information

### FODIS compact Modules SM/APC (shrink splice protection) Version

Description	ec-Article Nr.:
FODIS compact Module (7SU) with 12 SC/APCsx adapters + pigtails with G.657A fiber	EC03.202021.001-V1
FODIS compact Module (7SU) with 6 SC/APCdx adapters + pigtails with G.657A fiber	EC03.202021.002-V1
FODIS compact Module (7SU) with 12 LC/APCdx adapters + pigtails with G.657A fiber	EC03.202021.006-V1
FODIS compact Module (7SU) with 12 E2000/APCsx adapters + pigtails with G.657A fiber	EC03.202021.005-V1
FODIS compact Module (7SU) with 6 LC/APCdx adapters + pigtails with G.657A fiber	EC03.202021.011
FODIS compact Module (7SU) with 12 E2000/APCsx adapters (screwed) + pigtails with G.657A fiber	EC03.202021.009-V1
FODIS compact Module (10SU) with 12 E2000compact/APCdx adapters + pigtails with G.657A fiber	EC03.202021.010-V1
FODIS compact Module (7SU) with 12 FC/APC adapters + pigtails with G.657A fiber	EC03.202021.003-V1

### FODIS compact Modules SM/APC (crimp splice protection) Version

FODIS compact Module (7SU) with 12 SC/APCsx adapters + pigtails with G.657A fiber	EC03.202022.001-V1
FODIS compact Module (7SU) with 6 SC/APCdx adapters + pigtails with G.657A fiber	EC03.202022.002-V1
FODIS compact Module (7SU) with 12 LC/APCdx adapters + pigtails with G.657A fiber	EC03.202022.006-V1
FODIS compact Module (7SU) with 12 E2000/APCsx adapters + pigtails with G.657A fiber	EC03.202022.005-V1
FODIS compact Module (7SU) with 6 LC/APCdx adapters + pigtails with G.657A fiber	EC03.202022.011
FODIS compact Module (7SU) with 12 E2000/APCsx adapters (screwed) + pigtails with G.657A fiber	EC03.202022.009-V1
FODIS compact Module (10SU) with 12 E2000compact/APCdx adapters + pigtails with G.657A fiber	EC03.202022.010-V1
FODIS compact Module (7SU) with 12 FC/APC adapters + pigtails with G.657A fiber	EC03.202022.003-V1

### FODIS compact Modules MM/G50/OM2 (shrink splice protection) Version

FODIS compact Module (7SU) with 12 SC/OM2sx adapters + pigtails with G50/OM2 fiber	EC03.202027.001-V1
FODIS compact Module (7SU) with 6 SC/OM2dx adapters + pigtails with G50/OM2 fiber	EC03.202027.002-V1
FODIS compact Module (7SU) with 12 LC/OM2dx adapters + pigtails with G50/OM2 fiber	EC03.202027.006-V1
FODIS compact Module (7SU) with 12 E2000/OM2sx adapters + pigtails with G50/OM2 fiber	EC03.202027.005-V1
FODIS compact Module (7SU) with 6 LC/OM2dx adapters + pigtails with G50/OM2 fiber	EC03.202027.011
FODIS compact Module (7SU) with 12 E2000/OM2sx adapters (screwed) + pigtails with G50/OM2 fiber	EC03.202027.009-V1
FODIS compact Module (10SU) with 12 E2000compact/OM2dx adapters + pigtails with G50/OM2 fiber	EC03.202027.010-V1
FODIS compact Module (7SU) with 12 ST/OM2 adapters + pigtails with G50/OM2 fiber	EC03.202027.004-V1
FODIS compact Module (7SU) with 12 FC/OM2 adapters + pigtails with G50/OM2 fiber	EC03.202027.003-V1

### FODIS compact Modules MM/G50/OM2 (crimp splice protection) Version

FODIS compact Module (7SU) with 12 SC/OM2sx adapters + pigtails with G50/OM2 fiber	EC03.202028.001-V1
FODIS compact Module (7SU) with 6 SC/OM2dx adapters + pigtails with G50/OM2 fiber	EC03.202028.002-V1
FODIS compact Module (7SU) with 12 LC/OM2dx adapters + pigtails with G50/OM2 fiber	EC03.202028.006-V1
FODIS compact Module (7SU) with 12 E2000/OM2sx adapters + pigtails with G50/OM2 fiber	EC03.202028.005-V1
FODIS compact Module (7SU) with 6 LC/OM2dx adapters + pigtails with G50/OM2 fiber	EC03.202028.011
FODIS compact Module (7SU) with 12 E2000/OM2sx adapters (screwed) + pigtails with G50/OM2 fiber	EC03.202028.009-V1
FODIS compact Module (10SU) with 12 E2000compact/OM2dx adapters + pigtails with G50/OM2 fiber	EC03.202028.010-V1
FODIS compact Module (7SU) with 12 ST/OM2 adapters + pigtails with G50/OM2 fiber	EC03.202028.004-V1
FODIS compact Module (7SU) with 12 FC/OM2 adapters + pigtails with G50/OM2 fiber	EC03.202028.003-V1



## FODIS compact Modules

Subrack fiber patch system

## Ordering Information

**FODIS compact Modules MM/G50/OM3 (shrink splice protection) Version**

Description	ec-Article Nr.:
FODIS compact Module (7SU) with 12 SC/OM3sx adapters + pigtails with G50/OM3 fiber	EC03.202030.001-V1
FODIS compact Module (7SU) with 6 SC/OM3dx adapters + pigtails with G50/OM3 fiber	EC03.202030.002-V1
FODIS compact Module (7SU) with 12 LC/OM3dx adapters + pigtails with G50/OM3 fiber	EC03.202030.006-V1
FODIS compact Module (7SU) with 12 E2000/OM3sx adapters + pigtails with G50/OM3 fiber	EC03.202030.005-V1
FODIS compact Module (7SU) with 6 LC/OM3dx adapters + pigtails with G50/OM3 fiber	EC03.202030.011
FODIS compact Module (7SU) with 12 E2000/OM3sx adapters (screwed) + pigtails with G50/OM3 fiber	EC03.202030.009-V1
FODIS compact Module (10SU) with 12 E2000compact/OM3dx adapters + pigtails with G50/OM3 fiber	EC03.202030.010-V1
FODIS compact Module (7SU) with 12 ST/OM3 adapters + pigtails with G50/OM3 fiber	EC03.202030.004-V1
FODIS compact Module (7SU) with 12 FC/OM3 adapters + pigtails with G50/OM3 fiber	EC03.202030.003-V1

**FODIS compact Modules MM/G50/OM3 (crimp splice protection) Version**

FODIS compact Module (7SU) with 12 SC/OM3sx adapters + pigtails with G50/OM3 fiber	EC03.202031.001-V1
FODIS compact Module (7SU) with 6 SC/OM3dx adapters + pigtails with G50/OM3 fiber	EC03.202031.001-V1
FODIS compact Module (7SU) with 12 LC/OM3dx adapters + pigtails with G50/OM3 fiber	EC03.202031.006-V1
FODIS compact Module (7SU) with 12 E2000/OM3sx adapters + pigtails with G50/OM3 fiber	EC03.202031.005-V1
FODIS compact Module (7SU) with 6 LC/OM3dx adapters + pigtails with G50/OM3 fiber	EC03.202031.011
FODIS compact Module (7SU) with 12 E2000/OM3sx adapters (screwed) + pigtails with G50/OM3 fiber	EC03.202031.009-V1
FODIS compact Module (10SU) with 12 E2000compact/OM3dx adapters + pigtails with G50/OM3 fiber	EC03.202031.010-V1
FODIS compact Module (7SU) with 12 ST/OM3 adapters + pigtails with G50/OM3 fiber	EC03.202031.004-V1
FODIS compact Module (7SU) with 12 FC/OM3 adapters + pigtails with G50/OM3 fiber	EC03.202031.003-V1

**FODIS compact Modules MM/G50/OM4 (shrink splice protection) Version**

FODIS compact Module (7SU) with 12 SC/OM4sx adapters + pigtails with G50/OM4 fiber	EC03.202033.001-V1
FODIS compact Module (7SU) with 6 SC/OM4dx adapters + pigtails with G50/OM4 fiber	EC03.202033.002-V1
FODIS compact Module (7SU) with 12 LC/OM4dx adapters + pigtails with G50/OM4 fiber	EC03.202033.006-V1
FODIS compact Module (7SU) with 12 E2000/OM4sx adapters + pigtails with G50/OM4 fiber	EC03.202033.005-V1
FODIS compact Module (7SU) with 6 LC/OM4dx adapters + pigtails with G50/OM4 fiber	EC03.202033.011
FODIS compact Module (7SU) with 12 E2000/OM4sx adapters (screwed) + pigtails with G50/OM4 fiber	EC03.202033.009-V1
FODIS compact Module (10SU) with 12 E2000compact/OM4dx adapters + pigtails with G50/OM4 fiber	EC03.202033.010-V1
FODIS compact Module (7SU) with 12 ST/OM4 adapters + pigtails with G50/OM4 fiber	EC03.202033.004-V1
FODIS compact Module (7SU) with 12 FC/OM4 adapters + pigtails with G50/OM4 fiber	EC03.202033.003-V1

**FODIS compact Modules MM/G50/OM4 (crimp splice protection) Version**

FODIS compact Module (7SU) with 12 SC/OM4sx adapters + pigtails with G50/OM4 fiber	EC03.202034.001-V1
FODIS compact Module (7SU) with 6 SC/OM4dx adapters + pigtails with G50/OM4 fiber	EC03.202034.002-V1
FODIS compact Module (7SU) with 12 LC/OM4dx adapters + pigtails with G50/OM4 fiber	EC03.202034.006-V1
FODIS compact Module (7SU) with 12 E2000/OM4sx adapters + pigtails with G50/OM4 fiber	EC03.202034.005-V1
FODIS compact Module (7SU) with 6 LC/OM4dx adapters + pigtails with G50/OM4 fiber	EC03.202034.011
FODIS compact Module (7SU) with 12 E2000/OM4sx adapters (screwed) + pigtails with G50/OM4 fiber	EC03.202034.009-V1
FODIS compact Module (10SU) with 12 E2000compact/OM4dx adapters + pigtails with G50/OM4 fiber	EC03.202034.010-V1
FODIS compact Module (7SU) with 12 ST/OM4 adapters + pigtails with G50/OM4 fiber	EC03.202034.004-V1
FODIS compact Module (7SU) with 12 FC/OM4 adapters + pigtails with G50/OM4 fiber	EC03.202034.003-V1

## Ordering Information

### FODIS compact Modules MM/G62.5/OM1 (shrink splice protection) Version

Description	ec-Article Nr.:
FODIS compact Module (7SU) with 12 SC/OM1sx adapters + pigtailed with G62.5/OM1 fiber	EC03.202036.001-V1
FODIS compact Module (7SU) with 6 SC/OM1dx adapters + pigtailed with G62.5/OM1 fiber	EC03.202036.002-V1
FODIS compact Module (7SU) with 12 LC/OM1dx adapters + pigtailed with G62.5/OM1 fiber	EC03.202036.006-V1
FODIS compact Module (7SU) with 12 E2000/OM1sx adapters + pigtailed with G62.5/OM1 fiber	EC03.202036.005-V1
FODIS compact Module (7SU) with 6 LC/OM1dx adapters + pigtailed with G62.5/OM1 fiber	EC03.202036.011
FODIS compact Module (7SU) with 12 E2000/OM1sx adapters (screwed) + pigtailed with G62.5/OM1 fiber	EC03.202036.009-V1
FODIS compact Module (10SU) with 12 E2000compact/OM3dx adapters + pigtailed with G62.5/OM1 fiber	EC03.202036.010-V1
FODIS compact Module (7SU) with 12 ST/OM1 adapters + pigtailed with G62.5/OM1 fiber	EC03.202036.004-V1
FODIS compact Module (7SU) with 12 FC/OM1 adapters + pigtailed with G62.5/OM1 fiber	EC03.202036.003-V1

### FODIS compact Modules MM/G62.5/OM1 (crimp splice protection) Version

FODIS compact Module (7SU) with 12 SC/OM1sx adapters + pigtailed with G62.5/OM1 fiber	EC03.202037.001-V1
FODIS compact Module (7SU) with 6 SC/OM1dx adapters + pigtailed with G62.5/OM1 fiber	EC03.202037.002-V1
FODIS compact Module (7SU) with 12 LC/OM1dx adapters + pigtailed with G62.5/OM1 fiber	EC03.202037.006-V1
FODIS compact Module (7SU) with 12 E2000/OM1sx adapters + pigtailed with G62.5/OM1 fiber	EC03.202037.005-V1
FODIS compact Module (7SU) with 6 LC/OM1dx adapters + pigtailed with G62.5/OM1 fiber	EC03.202037.011
FODIS compact Module (7SU) with 12 E2000/OM1sx adapters (screwed) + pigtailed with G62.5/OM1 fiber	EC03.202037.009-V1
FODIS compact Module (10SU) with 12 E2000compact/OM1dx adapters + pigtailed with G62.5/OM1 fiber	EC03.202037.010-V1
FODIS compact Module (7SU) with 12 ST/OM1 adapters + pigtailed with G62.5/OM1 fiber	EC03.202037.004-V1
FODIS compact Module (7SU) with 12 FC/OM1 adapters + pigtailed with G62.5/OM1 fiber	EC03.202037.003-V1

### FODIS compact Splitter Modules

FODIS compact Splitter Module 1:8, assembled, SC/UPC to SC/UPC	EC03.202048.001-V1
FODIS compact Splitter Module 1:16, assembled, SC/UPC to LC/UPC	EC03.202048.006-V1
FODIS compact Splitter Module 1:8, assembled, SC/APC to SC/APC	EC03.202040.001-V1
FODIS compact Splitter Module 1:16, assembled, SC/APC to LC/APC	EC03.202040.006-V1

### FODIS compact MPO/MTP® Modules

FODIS compact MPO/MTP® Module (7SU), assembled, 1 MPO/MTP® to 12 SCsx/UPC + 1 fanout	EC03.202081.007-V1
FODIS compact MPO/MTP® Module (7SU), assembled, 1 MPO/MTP® to 12 LCdx/UPC + 1 fanout	EC03.202081.008-V1
FODIS compact MPO/MTP® Module (7SU), assembled, 2 MPO/MTP® to 12 LCdx/UPC + 2 fanout	EC03.202081.011-V1
FODIS compact MPO/MTP® Module (7SU), assembled, 1 MPO/MTP® to 12 SCsx/APC + 1 fanout	EC03.202080.007-V1
FODIS compact MPO/MTP® Module (7SU), assembled, 1 MPO/MTP® to 12 LCdx/APC + 1 fanout	EC03.202080.008-V1
FODIS compact MPO/MTP® Module (7SU), assembled, 2 MPO/MTP® to 12 LCdx/APC + 2 fanout	EC03.202080.011-V1

## Scope of supply

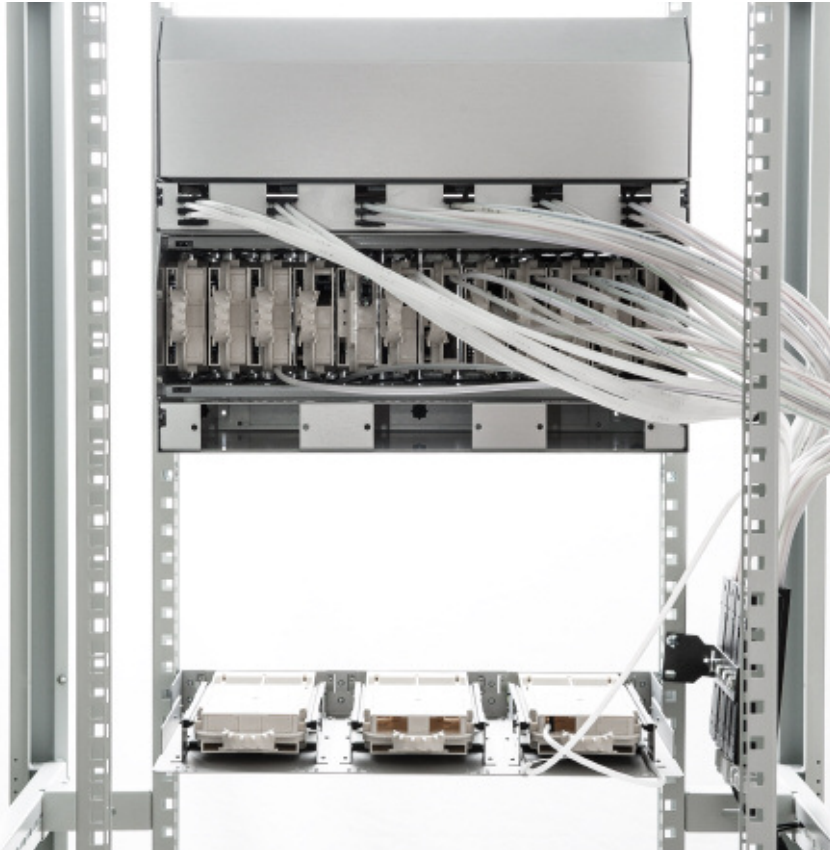
Each FODIS compact Module is equipped with:

- Frontplate
- ec1 splice cassette
- Splice protection holder (for shrink or crimp splice protection sleeve - upon customer's request)
- Splice comb
- Cover for splice cassette and cable overlength chamber
- Fixation screws
- Inserted adapters and pigtailed

## FODIS compact

Subrack fiber patch system

### Installation examples



#### FODIS compact - Rack installation (backside)

The picture above shows a FODIS compact 4HU Carrier installed into a 19" rack (with integrated drawer) as well as a 3HU open rack. On a lower level a FODIS compact 1HU carrier is installed



#### Multi Tube Cable Divider (MTCD)

The Multi Tube Cable Divider can be installed into the rack and provides a splitting of the subcables of an incoming cable. Furthermore, it provides a fixation point for the subcable protection tubes which lead to the FODIS compact Carrier



#### FODIS compact with drawer

The FODIS compact 4HU carrier has an integrated drawer which cannot be detached. In this example it is equipped with a simple Management Bar for horizontal patchcord guidance



Systems  
Eurocard Module System

Subrack fiber patch system

FODIS compact